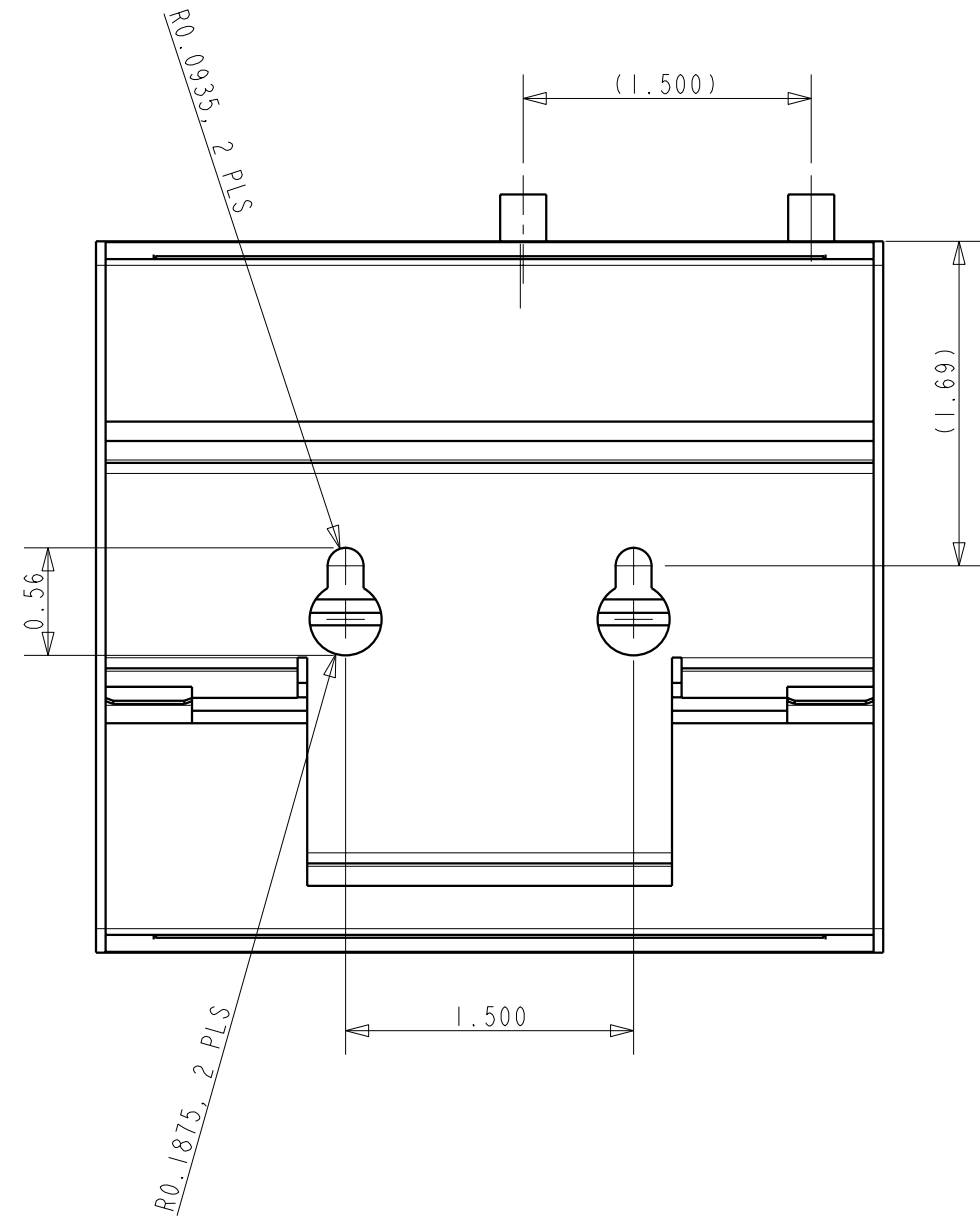


SECTION A-A



Prosoft Technology, Inc.
1675 Chester Ave. Fourth Floor
Bakersfield, CA 93301

DIMENSIONS IN INCHES.
TOLERANCES NON-CUMULATIVE.
.xx ± .010
.xxx ± .005

RLX-FHS OUTLINE

DRAWN BY	Mathison	SIZE	B	DATE	2/26/04	DWG NO		REV	N/C
APPROVED	Mathison	SCALE	1:1			SHEET	1 OF 1		