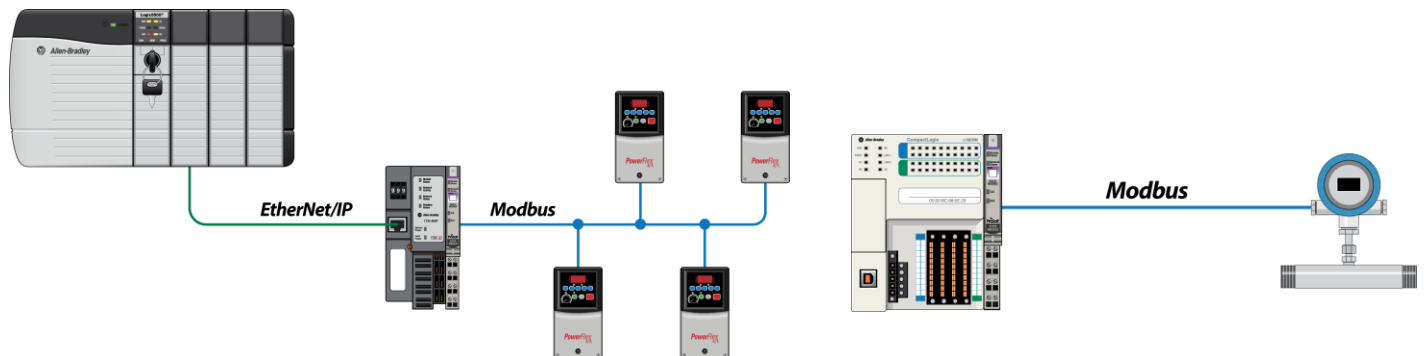


DATASHEET

Modbus Serial Module for CompactLogix L1 and Point I/O Adapters ILX34-MBS232 ILX34-MBS485



ProSoft Technology's ILX34-MBS modules are ideal for applications that require RS-232 or RS-485 Modbus Serial connectivity. These include SCADA and field device interface applications. Each module can be used in CompactLogix L1 processors or 1734 Point I/O systems. In addition, the modules can be configured as a Modbus Master or Slave.



Features

- ◆ Add-on Instruction creates UDTs, providing logical definitions for I/O, status, and control data.
- ◆ Diagnostic data available in RSLogix 5000/Studio 5000 controller tags, allowing decisions to be made based upon node health.
- ◆ Module configuration is backed up in the CompactLogix project (ACD file).
- ◆ The serial port can be enabled or disabled through ladder logic.
- ◆ Supports up to 1,000 words of data.
- ◆ Supports up to 30 Modbus Commands & up to 36 words per command.
- ◆ The serial port can be configured as a Modbus Master or Modbus Slave device.
- ◆ Suitable for SCADA and field device interface applications.

Modbus Master/Slave Specifications

Specification	Description
Configuration Environment	RSLogix 5000/Studio 5000
Communication parameters	Baud Rate: 2400, 4800, 9600, 19200, 38400 Stop Bits: 1 or 2 Data Size: 7 or 8 bits Parity: None, Even, Odd
Modbus Modes	RTU mode (8-bit data size only) ASCII mode with LRC error checking
Node Address	1 to 247
Modbus Function Codes Supported	1: Read Coil Status 2: Read Input Status 3: Read Holding Registers 4: Read Input Registers 5: Force (Write) Single Coil 6: Preset (Write) Single Holding Register 8: Diagnostics (Slave Only, Responds to Subfunction 00) 15: Force (Write) Multiple Coils 16: Preset (Write) Multiple Holding Registers

Hardware Specifications

Specification	Description
Power Supply	10 to 28.8 VDC (Two 24V power supplies needed if using a Series A L16/L18 controller)
Pointbus Current	75mA @ 5 VDC
Serial Line Voltages	RS-232: -15 to +15 VDC RS-422/485: -7 to +12 VDC
Number of Inputs	1 Full duplex
Module Location	1734-TB or -TBS wiring base assembly (not included) 1734-TOP or -TOPS
LED Indicators	1 green/red module status indicator 1 green/red network status indicator 2 green TXD, RXD status indicators
Operating Temperature	32°F to +131°F (0°C to +55°C)
Storage Temperature	32°F to +131°F (0°C to +55°C)
Relative Humidity	5% to 95% RH with no condensation
Dimensions (H x W x D)	2.21 x 0.47 x 2.97 in 56 x 12 x 75.5 mm
Shock	30g peak acceleration (Operational) 50g peak acceleration (Non-operational)
Vibration	Tested 5g @ 10 to 500 Hz
ESD immunity	6kV contact discharges 8kV air discharges

Agency Approvals and Certifications

Please visit our website: www.prosoft-technology.com



Where Automation Connects™

Global Distribution

ProSoft Technology® products are distributed and supported worldwide through a network of over 500 distributors in over 50 countries. Our knowledgeable distributors are familiar with your application needs. For a complete list of distributors, go to our website at: www.prosoft-technology.com

Ordering Information

To order this product, please use the following:

Modbus Serial Module for CompactLogix L1 and Point I/O Adapters

ILX34-MBS232

ILX34-MBS485

To place an order, please contact your local ProSoft Technology distributor. For a list of ProSoft Technology distributors near you, go to: www.prosoft-technology.com and select *Where to Buy* from the menu.

Copyright © 2023 ProSoft Technology, Inc.
All Rights Reserved. March 29, 2023
For Public Use.

Specifications subject to change without notice.