

DATASHEET

Distributed Network Protocol (DNP3) Gateway PLX51-DNPS

The PLX51-DNPS gateways provide intelligent routing between DNP3 (Distributed Network Protocol) and either EtherNet/IP™ or Modbus® protocols. The gateways support Ethernet and Serial communications.

PLX51-DNPS gateway is the DNP3 Outstation or Slave.

The PLX51-DNPS is configured using the ProSoft Technology PLX50 Configuration Utility. The utility can be downloaded from www.prosoft-technology.com

The PLX51-DNPS allows the user to integrate DNP3 devices over a secure link into a Logix system with minimal effort. No copying or mapping of data in the Logix controller is required as the PLX51-DNPS writes directly into Logix tags.

The PLX51-DNPS allows users to integrate the gateway into a Modbus TCP/IP or serial network. The gateway supports Modbus TCP/IP Client and Server and Modbus RTU protocols.

The PLX51-DNPS module provides DNP3 Secure Authentication 5 which enables the user to connect DNP3 devices to a Logix platform securely. The module also provides a range of diagnostics, statistics and a DNP3 traffic analyzer to assist with fault-finding.



Features

- ◆ Support DNP3 Secure v5
- ◆ Supports EtherNet/IP, Modbus Master and Slave protocols (TCP/IP and RTU)
- ◆ Supports DLR for EtherNet/IP Networks
- ◆ On board storage for 900,000 DNP3 Events
- ◆ Support for unsolicited reporting
- ◆ Disaster recovery via the microSD Card
- ◆ DNP3 Level 3 compliant

Configuration

- ◆ The PLX50 Configuration Utility software is used for configuration and troubleshooting of the module. The stand-alone configuration utility allows users to define the setup and configuration of the PLX51-DNPS gateway, connections with controllers and devices.
- ◆ The configuration utility can be downloaded from www.prosoft-technology.com

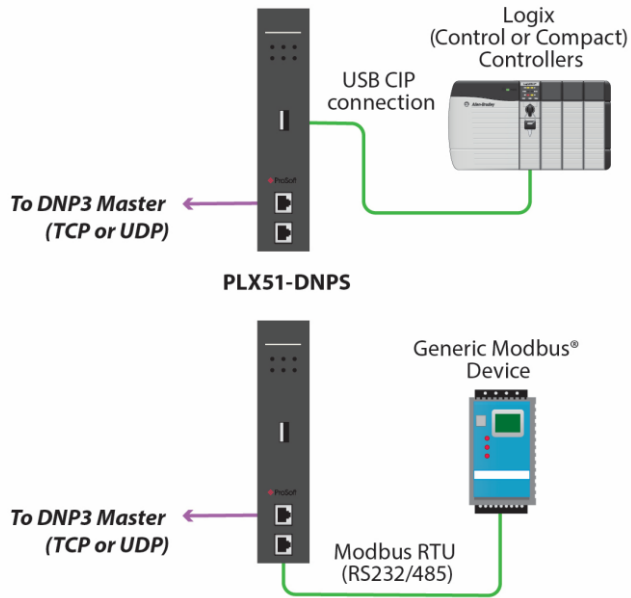


Figure 1 – Flexible connection to Programmable Automation Controllers (PACs)

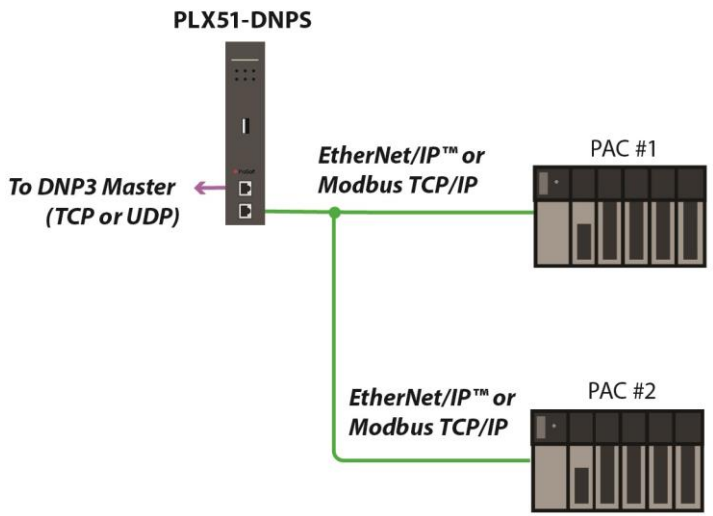


Figure 2 – A single gateway can connect to multiple PACs

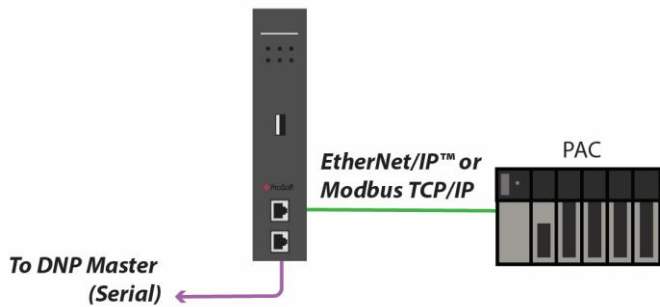


Figure 3 – PLX51-DNPS supports serial or Ethernet connection to DNP3 SCADA Master

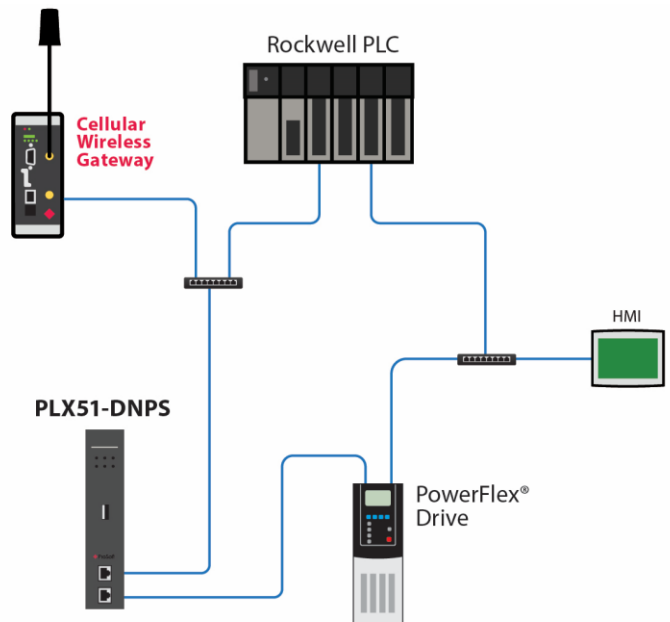


Figure 4 – PLX51-DNPS supports Device Level Ring (DLR)

Specifications

DNP3

Mode Supported	Slave
Application Functions Supported	Read Write Select Before Operate Direct-Operate Direct-Operate-No-Response Authentication Request and Response Unsolicited Response
DNP3 Secure Authentication	Yes (v5)
DNP3 Events Supported	Yes
DNP3 Class Supported	0, 1, 2, 3
DNP3 Groups and Variations	Yes (see manual and Device profile document)
DNP3 Unsolicited Responses	Yes
DNP3 Time Sync	Yes
DNP3 Objects*	Binary, 16-bit Analog, 32-bit Analog
Event Buffer	900,000 (100,000 per DNP3 Group)
DNP3 Secure Authentication**	Pre-shared key change method supported AES-128 and AES-256 Key Wrap Algorithms supported HMAC-SHA-1, HMAC-SHA-256, AES-GMAC MAC Algorithms supported Aggressive Mode supported

*Please refer to the DNP Slave Device Profile document and product manual for a full list of all supported functions.

**Please refer to the product manual for a detailed description on DNP3 Secure Authentication v5 .

EtherNet/IP

Connector	RJ45
Conductors	CAT5 STP/UTP
ARP Connections	Max 250
TCP Connections	Max 250
CIP Connections	Max 10
Communications Rate	10.100 Mbps
Duplex Mode	Full / Half / Auto Negotiate
Auto MDIX	Yes
Embedded Switch	Yes, 2 x Ethernet ports

Modbus

Mode	Client or Server
Connector	RJ45
Conductors	CAT5 STP/UTP
ARP Connections	Max 40
TCP Connections	Max 40
Communications Rate	10.100 Mbps
Duplex Mode	Full / Half / Auto Negotiate
Auto MDIX	Yes



Where Automation
Connects™

Global Distribution

ProSoft Technology® products are distributed and supported worldwide through a network of over 500 distributors in over 50 countries. Our knowledgeable distributors are familiar with your application needs. For a complete list of distributors, go to our website at:

www.prosoft-technology.com

Global Support

We are there for you

All ProSoft Technology products are backed with free technical support. Contact our worldwide Technical Support team directly by phone or email.

Global Offices

We are where you are

ProSoft Technology has regional offices worldwide available to help you with all your industrial application needs. If you need help choosing a ProSoft Technology solution for your particular application check out our contact information under distributor sales on the website at:

www.prosoft-technology.com

Whether your application is large or small, our technical professionals are there to help you choose the right communication solution.

Physical

Enclosure Rating	IP20, NEMA/UL Open Type, DIN Rail Indoor-Use Only
Dimensions (H x W x D)	5.86 x 1.33 x 4.56 in 149 x 34 x 116 mm
Ethernet Port	(2) 10/100 Base-T, RJ45 connector
Serial Port	(2) RS232, RS485 (9-way terminal)
USB	(1) USB2.0, Type A Recommended USB Cable: Type-A (male) to Type-B (male)
microSD Card	Yes

Electrical

Power	Input: 10 – 32V DC, (121 mA @ 24 VDC)
Power Consumption	3.1 W (Including full load on USB of 200mA) 300 mA maximum
USB Power	5V, maximum load of 200 mA (1W)
Connector	3-way terminal
Earth connection	Yes, terminal based

Environmental

Operating Temperature	IEC 60068 -4°F to +158°F (-20°C to +70°C)
Relative Humidity	IEC 60068-30 5% to 95%, with no condensation
Altitude	<2000 m

Hardware

Earth Connection	Yes, terminal based
Emissions	IEC61000-6-4
ESD Immunity	EN 61000-4-2
Radiated Immunity	IEC 61000-4-3
EFT/B Immunity	IEC61000-4-4
Surge Immunity	IEC61000-4-5
Conducted RF Immunity	IEC 61000-4-6

Agency Approvals & Certifications

Please visit our website: www.prosoft-technology.com



Additional Products

ProSoft Technology® offers a full complement of hardware and software solutions for a wide variety of industrial communication platforms. For a complete list of products, visit our website at: www.prosoft-technology.com

Ordering Information

To order this product, please use the following:

Distributed Network Protocol (DNP3) Gateway

PLX51-DNPS

To place an order, please contact your local ProSoft Technology distributor. For a list of ProSoft Technology distributors near you, go to: www.prosoft-technology.com and select *Where to Buy* from the menu.