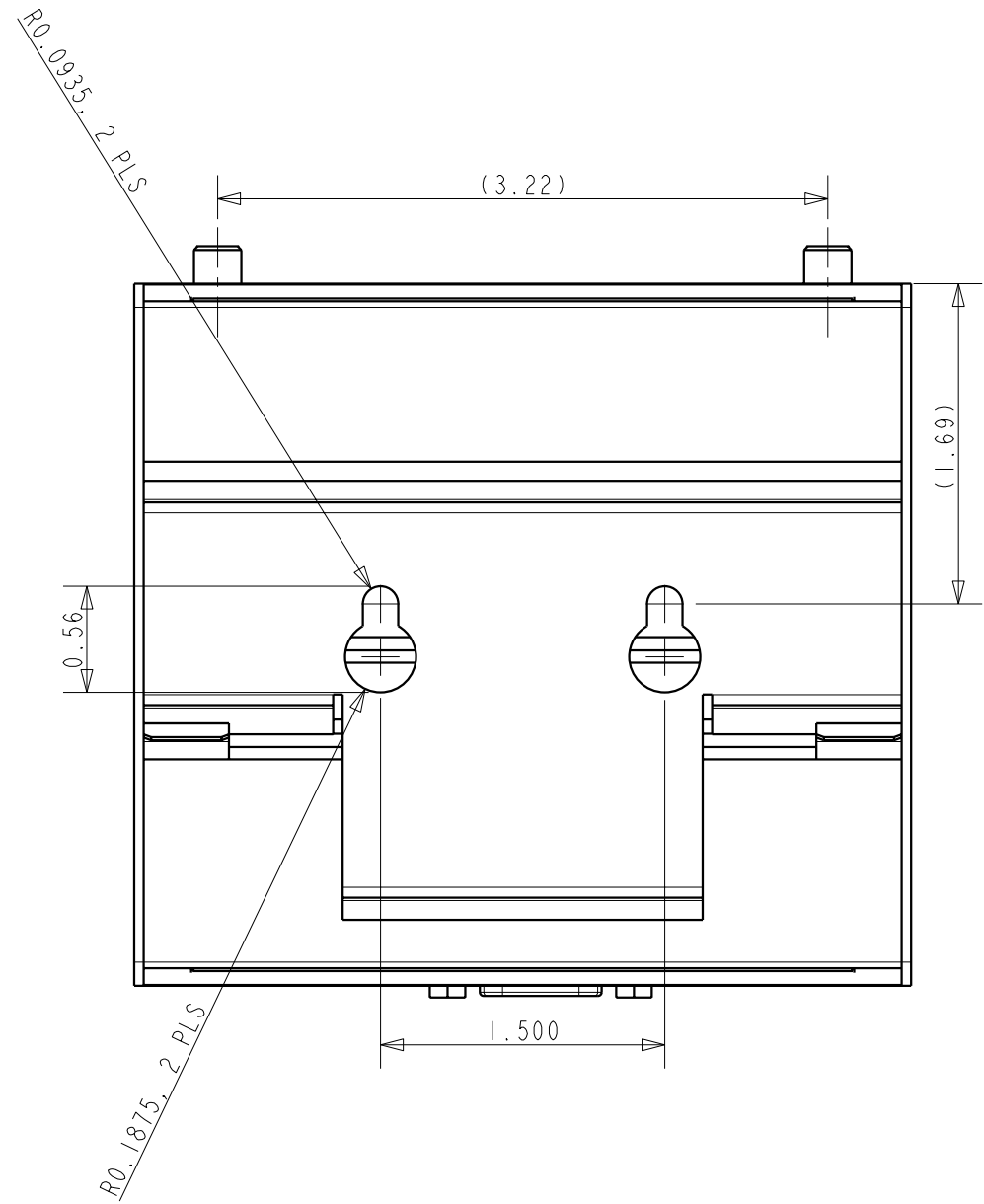


SECTION A-A



| | | | | |
|-----------------------|---|-------|---|--------------|
| | Prosoft Technology, Inc. 1675 Chester Ave. Fourth Floor Bakersfield, CA 93301 | | DIMENSIONS IN INCHES. TOLERANCES NON-CUMULATIVE. | |
| | | | .xx ± .010 | .xxx ± .005 |
| RLX-IH OUTLINE | | | | |
| DRAWN BY | Mathison | SIZE | DATE | DWG NO |
| APPROVED | Mathison | B | 2/26/04 | REV N/C |
| | | SCALE | 1:1 | SHEET 1 OF 1 |